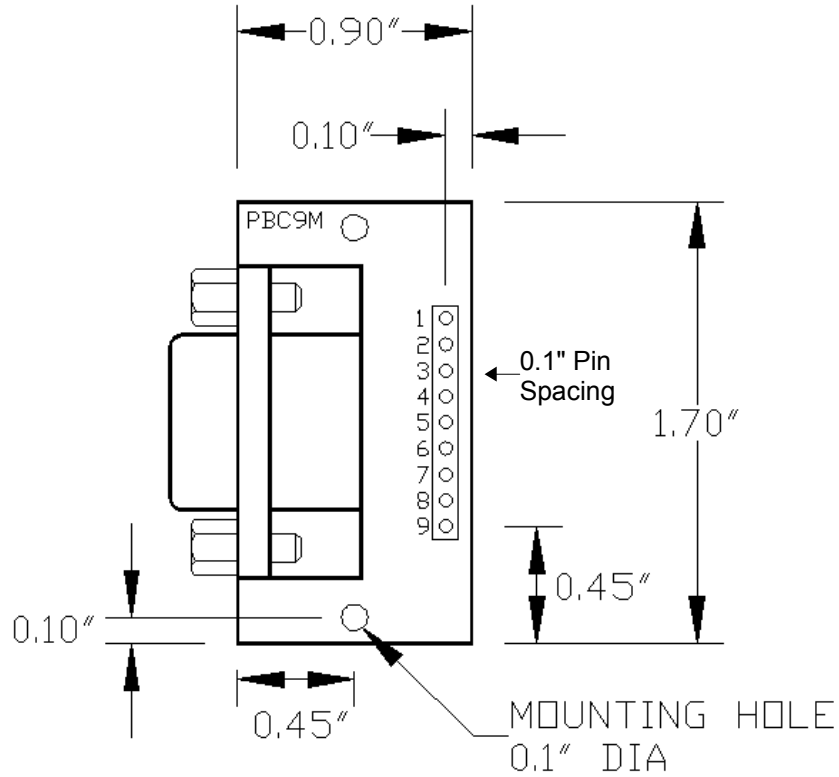


PBC9M Physical Layout



DB9 Male Pinout

