

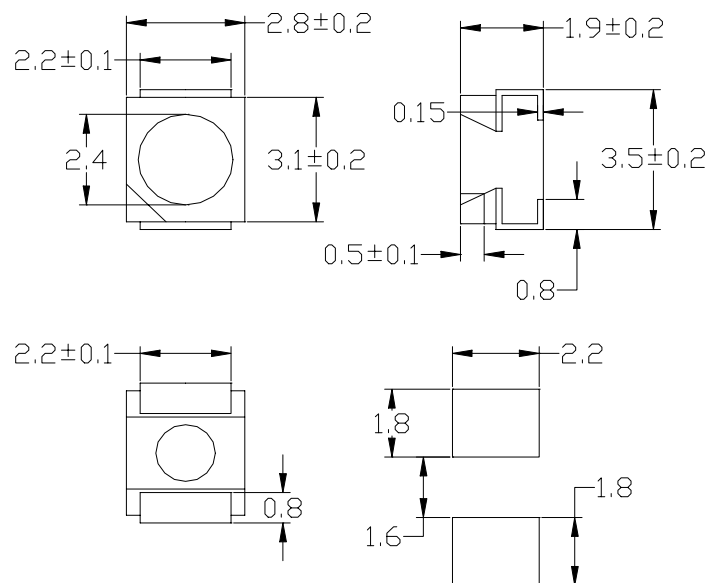


Brilliance by design

SloanLED™

Surface Mount LED
Model 902 E Series

www.SloanLED.com



Ta=25°C

Reverse Voltage:	5 Volt
Reverse Current (Vr=5V):	10 uA
Operating Temperature Range:	-40°C - +80°C
Storage Temperature Range:	-40°C - +100°C
Lead Soldering Temperature:	260°C for 5 seconds (1.6mm(1/16inch) from body)

Ta=25°C

Part No.	Chip		Wave Length	Lens Color	View Angle (deg)	Electo-Optical Characteristics			Absolute Max Ratings		
	Raw Material	Emitted Color				Vf(V)		IV (mcd)	Pd	If	If mA
						Typ.	Max.	Typ.	mW	mA	(Peak)
SL902WCE	InGaN/YAG	Pure White	-	Water Clear	120	3.6	4.0	150	120	30	100
SL902BCE	GaN/SiC	Blue	430	Water Clear	120	3.8	4.5	45	120	30	100
SL902GCE	AlGaInP	Green	575	Water Clear	120	2.0	2.4	53	120	30	100
SL902RCE	AlGaInP	Red	635	Water Clear	120	2.0	2.4	180	120	30	100
SL902YCE	AlGaInP	Yellow	590	Water Clear	120	2.0	2.4	180	120	30	100
SL902ACE	AlGaInP	Amber	620	Water Clear	120	2.0	2.4	190	120	30	100

Notes:

1. All Dimensions are in millimeters.
2. Tolerance is +0.25mm(0.10") unless otherwise specified.
3. Protruded resin under flange is 1.5 mm(0.059") max.
4. Lead spacing is measured where the leads emerge from the package
5. Specifications are subject to change without notice



3mm & 5mm Ultra Bright LEDs

Figure 1 3mm LED

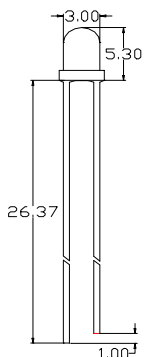


Figure 2 5mm LED

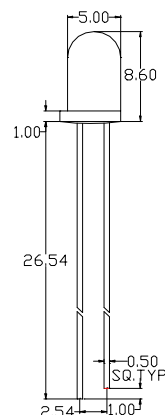


Figure 1

Reverse Voltage:	5 Volt
Reverse Current (Vr=5V):	50 uA
Operating Temperature Range:	-20°C- +80°C
Storage Temperature Range:	-30°C- +100°C
Lead Soldering Temperature:	-260°C for
(1.6mm (1/16inch) from body)	5 seconds

1. All Dimensions are in millimeters.
2. Tolerance is +0.25mm(0.10') unless otherwise specified.
3. Protruded resin under flange is 1.5 mm(0.059") max.
4. Lead spacing is measured where the leads emerge from the package
5. Specifications are subject to change without notice

Figure 1 3mm LED

Part No.	Chip		Wave Length	Lens Color	View Angle (deg)	Electo-Optical Characteristics			Absolute Max Ratings		
	Raw Material	Emitted Color				Vf(V)		IV (mcd)	Pd mW	If mA	If mA (Peak)
						Typ.	Max.	Typ.			
SL903WCE	InGaN/YAG	Pure White	-	Water Clear	30	3.6	4.0	630	120	30	100
SL903BCE	GaN/SiC	Blue	430	Water Clear	40	3.8	4.5	100	120	30	100
SL903GCE	AlGaInP	Green	575	Water Clear	40	2.0	2.4	120	120	30	100
SL903RCE	AlGaInP	Red	635	Water Clear	40	2.0	2.4	350	120	30	100
SL903YCE	AlGaInP	Yellow	590	Water Clear	40	2.0	2.4	385	120	30	100
SL903ACE	AlGaInP	Amber	620	Water Clear	40	2.0	2.4	420	120	30	100

Figure 2 5mm LED

Part No.	Chip		Wave Length	Lens Color	View Angle (deg)	Electo-Optical Characteristics			Absolute Max Ratings		
	Raw Material	Emitted Color				Vf(V)		IV (mcd)	Pd mW	If mA	If mA (Peak)
						Typ.	Max.	Typ.			
SL905WCE	InGaN/YAG	Pure White	-	Water Clear	45	3.6	4.0	1200	120	30	100
SL905WCE-13	InGaN/YAG	Pure White	-	Water Clear	13	3.6	4.0	3700	120	30	100
SL905WCE-20	InGaN/YAG	Pure White	-	Water Clear	20	3.6	4.0	3300	120	30	100
SL905BCE	GaN/SiC	Blue	430	Water Clear	20	3.8	4.5	400	120	30	100
SL905GCE	AlGaInP	Green	575	Water Clear	20	2.0	2.4	2200	120	30	100
SL905RCE	AlGaInP	Red	635	Water Clear	13	2.0	2.4	7300	120	30	100
SL905YCE	AlGaInP	Yellow	590	Water Clear	13	2.0	2.4	8900	120	30	100
SL905ACE	AlGaInP	Amber	620	Water Clear	13	2.0	2.4	9900	120	30	100

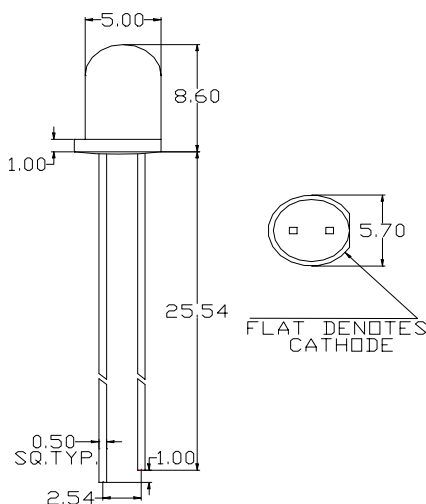


Brilliance by design

SloanLED™

5mm Flashing LED Model 915

www.SloanLED.com



Ta=25°C

Reverse Voltage:	5 Volt
Reverse Current (Vr=5V):	10 uA
Operating Temperature Range:	-40°C - +80°C
Storage Temperature Range:	-40°C - +100°C
Lead Soldering Temperature:	260°C for 5 seconds (1.6mm(1/16inch) from body)

Ta=25°C

Part No.	Chip		Wave Length	Lens Color	View Angle (deg)	Peak Current		Pulse Rate (Hz) VDD=5V			If mA	Iv (mcd) Typ
	Raw Material	Emitted Color				Typ	Max	Min	Typ	Max		
SL915RD	GaP	Red	700	Red Diffused	60	10	30	1.8	2.4	3.0	10	5.0
SL915OD	GaAsP/GaP	Red	635	Red Diffused	60	15	40	1.8	2.4	3.0	20	20.0
SL915GD	GaP	Green	565	Green Diffused	60	15	40	1.8	2.4	3.0	20	15.0
SL915YD	GaAsP/GaP	Yellow	585	Yellow Diffused	60	15	40	1.8	2.4	3.0	20	20.0
SL915RDH	GaAlAs	Red	660	Red Diffused	60	15	40	1.8	2.4	3.0	20	200
SL915RDV	GaAlAs	Red	660	Red Diffused	60	15	40	1.8	2.4	3.0	20	300
SL915RDS	GaAlAs	Red	660	Red Diffused	60	15	40	1.8	2.4	3.0	20	500

Notes:

1. All Dimensions are in millimeters.
2. Tolerance is +0.25mm(0.10") unless otherwise specified.
3. Protruded resin under flange is 1.5 mm(0.059") max.
4. Lead spacing is measured where the leads emerge from the package
5. Specifications are subject to change without notice

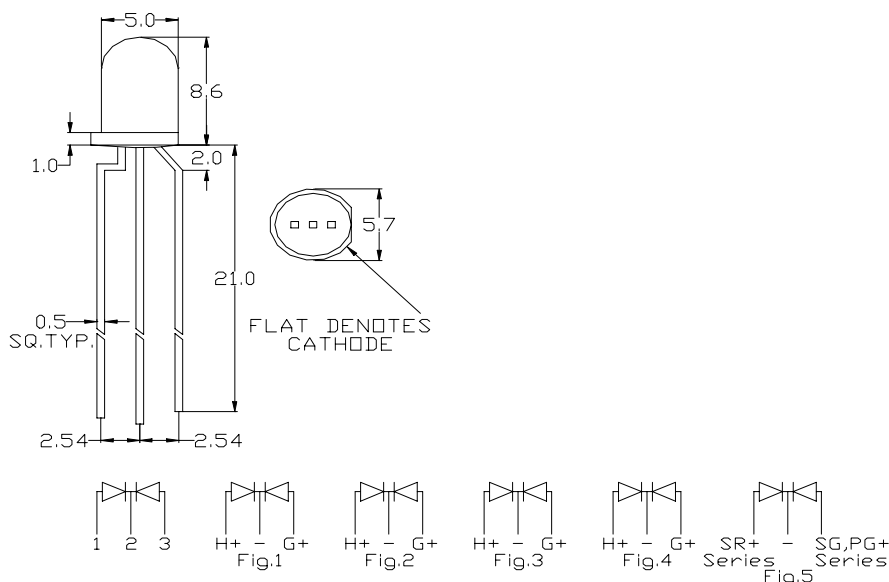


Brilliance by design

SloanLED™

5mm LED Multi-Color LED
Model 925

www.SloanLED.com



Contact Factory for information regarding 3mm Multi-Color LEDs

Ta=25°C

Part No.	Chip		Wave Length	Lens Color	View Angel (deg)	Electro-Optical Characteristics					Absolute Max Ratings			
	Raw Material	Emitted Color				Vf(V)			Iv (mcd)		nm	Pd mW	If mA	If mA (Peak)
						Min.	Typ.	Max.	Min.	Typ.				
SL925OGD	GaAsP/GaP	Hi-effi. Red	635	White	60	1.7	2.1	2.8	8.0	20.0	45	100	30	160
	GaP	Green	565	Diffused		1.7	2.1	2.8	5.0	15.0	30	100	30	160
SL925OYD	GaAsP/GaP	Hi-effi. Red	635	White	60	1.7	2.1	2.8	5.0	15.0	30	100	30	160
	GaAsP/GaP	Yellow	585	Diffused		1.7	2	2.8	8.0	20.0	45	100	30	160
SL925GYD	GaP	Green	565	White	60	1.7	2.1	2.8	5.0	15.0	30	100	30	160
	GaAsP/GaP	Yellow	585	Diffused		1.7	2.1	2.8	5.0	15.0	30	100	30	160
SL925RSGHD	GaAlAs	Super Red	660	White	60	1.6	1.8	2.1	50.0	150	20	60	20	160
	GaP	Green	565	Diffused		1.7	2.1	2.8	20.0	50	30	100	30	160
SL925OGC	GaAsP/GaP	Hi-effi. Red	635	Water	30	1.7	2	2.8	20.0	50	45	100	30	160
	GaP	Green	565	Clear		1.7	2.1	2.8	15.0	30	30	100	30	160
SL925OYC	GaAsP/GaP	Hi-effi. Red	635	Water	30	1.7	2	2.8	20.0	50	45	100	30	160
	GaAsP/GaP	Yellow	585	Clear		1.7	2.1	2.8	15.0	30	30	100	30	160
SL925GYC	GaP	Green	565	Water	30	1.7	2.1	2.8	15.0	30	30	100	30	160
	GaAsP/GaP	Yellow	585	Clear		1.7	2.1	2.8	15.0	30	30	100	30	160
SL925RSGHC	GaAlAs	Super Red	660	Water	30	1.6	1.8	2.1	300	500	20	60	20	160
	GaP	Green	565	Clear		1.7	2.1	2.8	50	100	30	100	30	160

Notes:

1. All Dimensions are in millimeters.
2. Tolerance is +0.25mm(0.10") unless otherwise specified.
3. Protruded resin under flange is 1.5mm(0.59") max.
4. Specifications are subject to change without notice

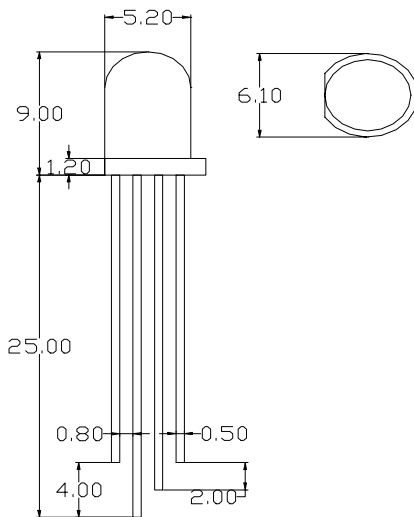


Brilliance by design

SloanLED™

5mm Full Color LED Model 995

www.SloanLED.com



1. Green
2. Blue
3. Common Cathode
4. Red

Ta=25°C

Reverse Voltage:	5 Volt (Red-4 Volt)	
Reverse Current (Vr=5V):	10 uA	
Operating Temperature Range:	Red	-40°C - +85°C
	G & B	-20°C - +80°C
Storage Temperature Range:	Red	-40°C - +85°C
	G & B	-30°C - +100°C
Lead Soldering Temperature: (1.6mm(1/16inch) from body)	260°C for 3 seconds	

Ta=25°C

Part No.	Emitted Color	Wave Length	View Angle	Electro-Optical Characteristic		Absolute Maximum Ratings		
				Vf(V) Typ.	Iv (mcd) Typ.	Pd * mW	If mA	If (Peak)
SL995RGBCU	Red	627	15	2.0	1200	120	50	200
	Green	517	15	3.5	3700	120	30	100
	Blue	472	15	3.5	700	120	30	100

Notes:

1. All Dimensions are in millimeters.
2. Tolerance is +0.25mm(0.10") unless otherwise specified.
3. Value for one LED device (single color). Total value should be within the absolute maximum rating when illuminating more than two devices (full colors).*
4. Specifications are subject to change without notice

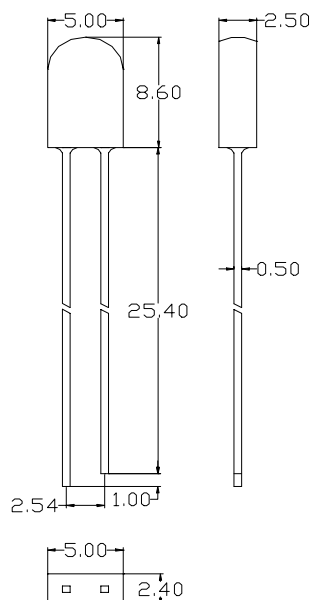


Brilliance by design

SloanLED™

5mm Tombstone LED Model 907

www.SloanLED.com



Ta=25° C

Reverse Voltage:	5 Volt
Reverse Current (Vr=5V):	10 uA
Operating Temperature Range:	-40° C - +80° C
Storage Temperature Range:	-40° C - +100° C
Lead Soldering Temperature:	260° C for 5 seconds (1.6mm(1/16inch) from body)

Ta=25° C

Part No.	Chip		Wave Length	Lens Color	View Angle (deg)	Electro-Optical Characteristics					Absolute Max Ratings		
	Raw Material	Emitted Color				Vf(V)		If mA	Iv (mcd)		Pd mW	If mA	If mA (Peak)
						Typ.	Max.		Min.	Typ.			
SL907GD	GaP	Green	565	Color Diffused	100	2.1	2.8	20	3.0	12.5	100	30	160
SL907YD	GaAsP/Gap	Yellow	585	Color Diffused	100	2.1	2.8	20	3.0	12.5	100	30	160
SL907AD	GaAsP/Gap	Amber	585	Color Diffused	100	2.1	2.8	20	3.0	12.5	100	30	160
SL907RD	GaP	Red	700	Color Diffused	100	2.1	2.8	10	0.8	30.0	45	15	50

Notes:

1. All Dimensions are in millimeters.
2. Tolerance is +0.25mm(0.10") unless otherwise specified.
3. Protruded resin under flange is 1.5 mm(0.059") max.
4. Lead spacing is measured where the leads emerge from the package
5. Specifications are subject to change without notice

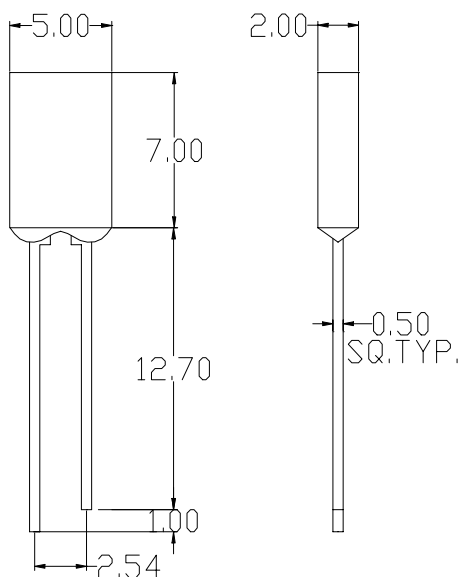


Brilliance by design

SloanLED™

5mm Rectangular LED Model 917

www.SloanLED.com



Ta=25°C

Reverse Voltage:	5 Volt
Reverse Current (Vr=5V):	10 uA
Operating Temperature Range:	-40°C - +80°C
Storage Temperature Range:	-40°C - +100°C
Lead Soldering Temperature:	260°C for 5 seconds (1.6mm(1/16inch) from body)

Ta=25°C

Part No.	Chip		Wave Length	Lens Color	View Angle (deg)	Electo-Optical Characteristics					Absolute Max Ratings		
	Raw Material	Emitted Color				Vf(V)		If mA	Iv (mcd)		Pd mW	If mA	If mA (Peak)
						Typ.	Max.		Min.	Typ.			
SL917RD	GaP	Red	700	Color Diffused	150	2.1	2.8	10	0.8	1.8	45	15	50
SL917RDH	GaAsP/GaP	Red	635	Color Diffused	150	2.0	2.8	20	1.8	5.0	100	30	160
SL917RDV	GaAlAs	Red	660	Color Diffused	150	1.8	2.1	20	5.0	15.0	60	20	160
SL917RDS	GaAlAs	Red	660	Color Diffused	150	1.8	2.1	20	15.0	45.0	60	20	160
SL917RDU	GaAlAs	Red	660	Color Diffused	150	1.8	2.1	20	45.0	75.0	60	20	160
SL917GD	GaP	Green	565	Color Diffused	150	2.1	2.8	20	1.8	4.5	100	30	160
SL917OD	GaAsP/GaP	Orange	635	Color Diffused	150	2.0	2.8	20	1.8	5.0	100	30	160
SL917AD	GaAsP/GaP	Amber	585	Color Diffused	150	2.1	2.8	20	1.8	4.5	100	30	160
SL917YD	GaAsP/GaP	Yellow	585	Color Diffused	150	2.1	2.8	20	1.8	4.5	100	30	160

Notes:

1. All Dimensions are in millimeters.
2. Tolerance is +0.25mm(0.10") unless otherwise specified.
3. Protruded resin under flange is 1.5 mm(0.059") max.
4. Lead spacing is measured where the leads emerge from the package
5. Specifications are subject to change without notice

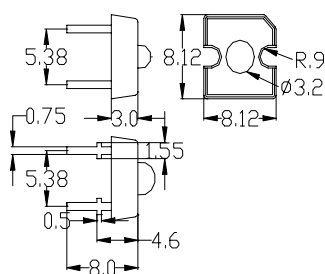


Brilliance by design

SloanLED™

High Flux LED
Model 600

www.SloanLED.com



Reverse Voltage:	5 Volt
Reverse Current (Vr=5V):	10A
Operating Temperature Range:	-40° C - +80° C
Storage Temperature Range:	-40° C - +100° C
Lead Soldering Temperature:	260° C for
(1.6mm(1/16inch) from body)	5 seconds

Ta=25° C

Part No.	Chip		Wave Length	Lens Color	View Angle (deg)	Electro-Optical Characteristics				
	Raw Material	Emitted Color				Vf (V)		If	Iv (mlm)	
						Typ.	Max.	mA	Min	Typ.
SL600WCE	GaN	Pure White	-	Water Clear	70	3.6	4.0	20	250	500
SL600RCE	AlGaInP	Super Red	639	Water Clear	70	2.31	2.9	70	500	1310
SL600ACE	AlGaInP	Super Amber	621	Water Clear	70	2.31	2.9	70	500	1310
SL600YCE	AlGaInP	Super Yellow	591	Water Clear	70	2.31	2.9	70	500	1310
SL600GCE	GaN	Super Green	525	Water Clear	70	3.6	4.0	20	250	400
SL600BCE	GaN	Super Blue	475	Water Clear	60	3.6	4.0	20	250	400