

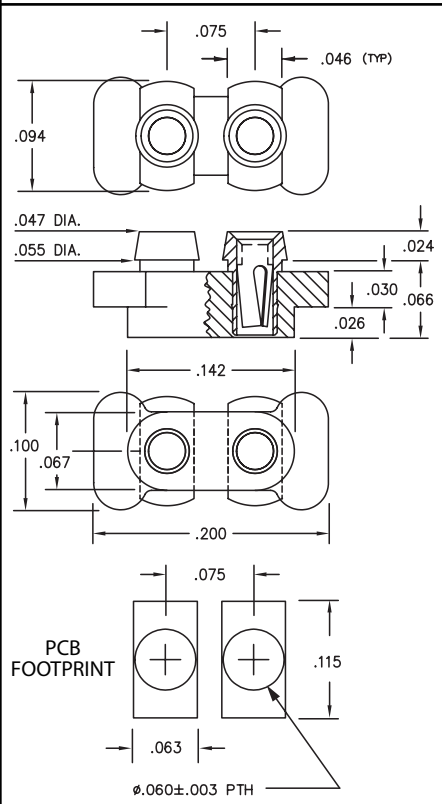
- Series 917 TO package sockets are available in 3,4,8 and 10 pins.
- Two 8 pin versions feature pin centers on .200" or .230" circle.
- Uses Mill-Max # 1705 pin, see page 137 for details.



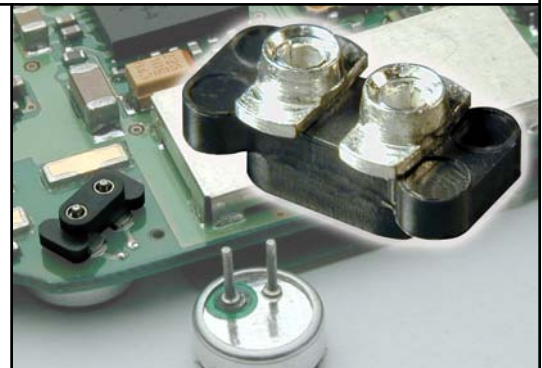
Transistor Sockets

Type	Circle Dia.	No. of Pins	Ordering Information
TO-5	0.200	3	917-XX-103-41-005
TO-5	0.200	4	917-XX-104-41-005
TO-5	0.200	8	917-XX-108-41-005
TO-100	0.230	8	917-XX-208-41-005
TO-100	0.230	10	917-XX-210-41-005

XX=
Plating Code See Below



- Series 388 microphone socket is a bottom entry socket for microphones having Ø.018" pins on .075" centers.
- Designed to be surface mount and intrusive reflow soldered.
- Insulator is high temp. Nylon 46, rated UL 94 V-0.
- Uses Mill-Max # 8874 pin, see page 128 for details.



Microphone Socket

Ordering Information

388-99-102-11-740800 (Discrete sockets)

Plating Code

388-99-102-11-740799

(Supplied on 12mm wide carrier tape per EIA-481: 6,500 per 13" reel)

SPECIFY PLATING CODE XX=		93	99
Sleeve (Pin)		200µ" Sn/Pb	200µ" Sn/Pb
Contact (Clip)		30µ" Au	200µ" Sn/Pb